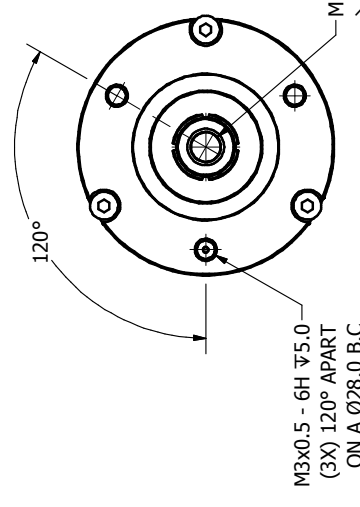
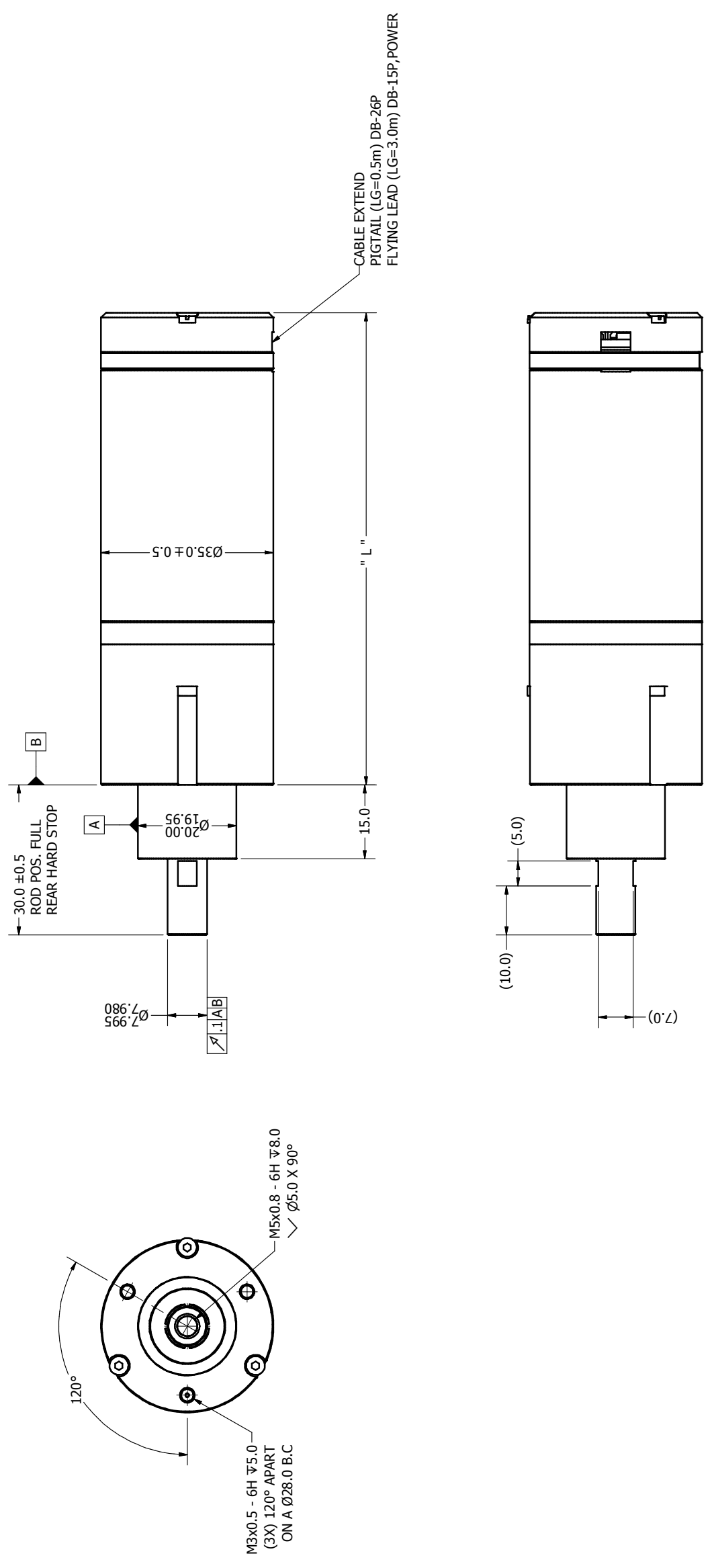


1 2 3 4

REVISION HISTORY				
REV	DATE	ECN	DESCRIPTION	APPROVED
D	06/27/2014		RELEASE	TOAN VU
E	8/21/2014	5456	SEE ECN	RH
F	7/30/2015		ADD CBL35-015-7X-1	MAC

LINEAR SPECIFICATONS:
 ENCODER RESOLUTION: 5, 1 μm (X)
 ENCODER REPEATABILITY: ±4 encoder count
 OPERATING TEMPERATURE: 0°C TO 65°C
 ALL DIMENSIONS ARE IN mm

D C B A



DB 26P PINOUT

1	(AXIS 1) PH. A+
2	(AXIS 1) PH. B+
3	(AXIS 1) PH. Z+
4	NC
5	NC
6	NC
7	NC
8	NC
9	NC
10	NC
11	NC
12	NC
13	NC
14	NC
15	NC
16	NC
17	NC
18	NC
19	+5VDC
20	5V RTN
21	(AXIS 1) COIL +
22	(AXIS 1) COIL -
23	(AXIS 1) COIL +
24	(AXIS 1) COIL -
25	NC
26	NC

POWER DETAILS

No	DETAIL
1	V RTN
2	+V
3	COIL +
4	COIL -

DB-15P DETAILS

PIN No	FUNCTION
1	PH. A+
2	PH. B+
3	PH. Z+
4	+5V
5	NC
6	NC
7	NC
8	NC
9	PH. A-
10	PH. Z-
11	PH. B-
12	5V RTN

CBL35-0XX-YY-Z

No	Details	UNIT	CBL35-010-5X-1	CBL35-010-5X-3	CBL35-010-7X-1	CBL35-010-7X-3	CBL35-015-5X-1	CBL35-015-7X-1	CBL35-025-5X-1	CBL35-025-7X-1
1	LINEAR STROKE	mm	10	10	10	10	15	15	25	25
2	PEAK FORCE	N	15	31	61	10	14	14	25	14
3	FORCE CONSTANT	N/A	9.0	14.8	13.4	15.0	7.0	8.8	5.8	5.8
4	MAXIMUM CURRENT	A	1.5	2.2	1.6	4.3	1.5	1.6	1.6	1.6
5	COIL RESISTANCE	Ohm	16	11	29	11	16	29	16	29
6	MOVING MASS	kg	0.04	0.1	.04	0.1	0.06	0.06	0.06	0.06
7	TOTAL MASS	kg	0.45	0.95	0.45	0.95	0.5	0.6	0.6	0.6
8	DIMENSION (L)	mm	96	178	96	178	101	101	111	111

SMAC

REF. NUMBER: CBL35

DESIGNED BY: TOAN VU
 DRAWN BY: TOAN VU
 PART NAME: CBL35-0XX-YY-Z

DATE: 6/27/2014
 DATE: 6/27/2014

CHECKED BY:
 APPROVED BY:

CONTRACT: CBL35

SHEET NUMBER: 1 OF 1

SCALE: NONE C

REVISION: F

DO NOT SCALE DWG

TOLERANCES ARE:
 X. ± 0.50
 XX ± 0.1
 XXX ± 0.05
 XXXX ± 0.1
 ANGULARITY ± 0.1°
 CONCENTRIC ± 0.05
 ROUNDNESS ± 0.05
 EDGE BREAK 0.02 MAX
 CHAMFER 0.03 MAX

EXCEPT NOTED ELECTROLESS SPEC. NOTE

FILE NAME: CBL35-0XX-YY_E_NEW.IGW

D C B A

1 2 3 4