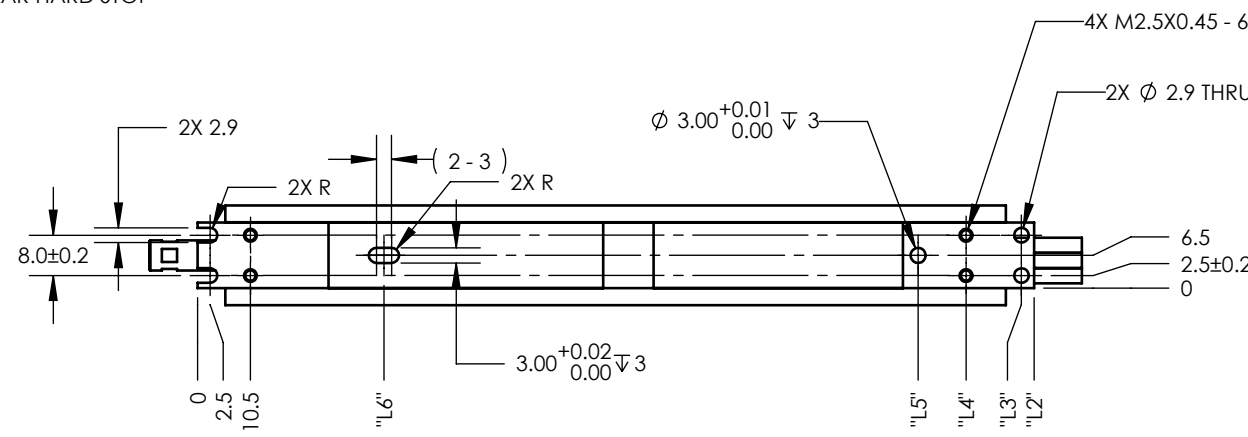
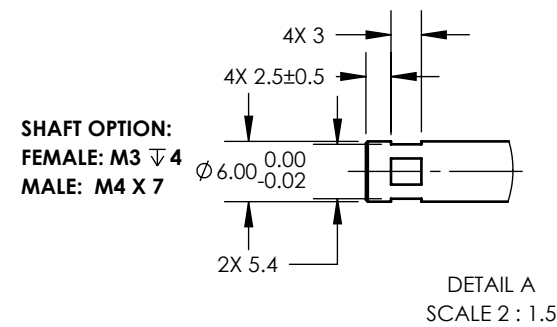
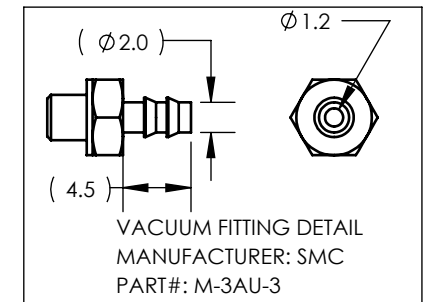
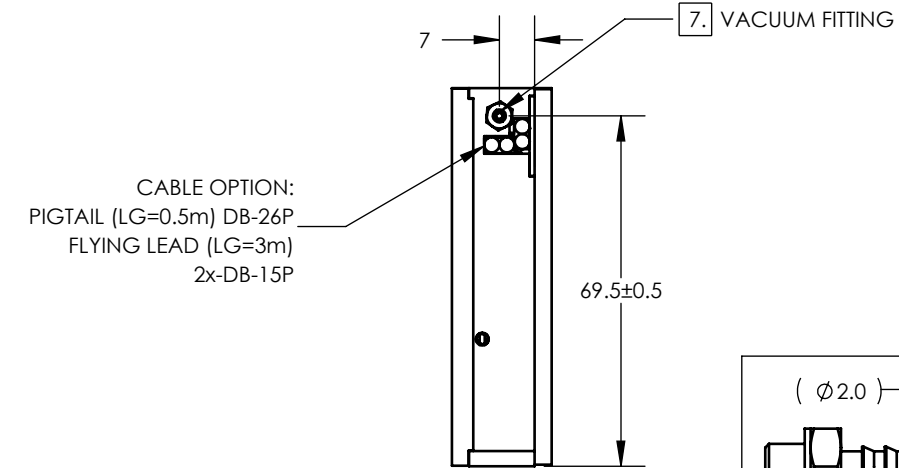
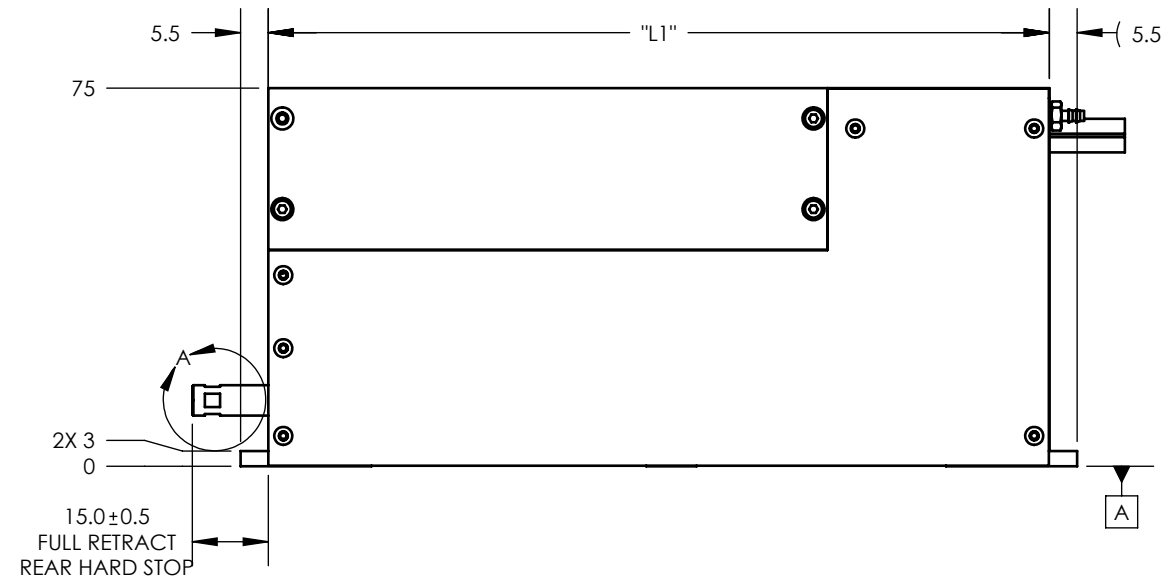
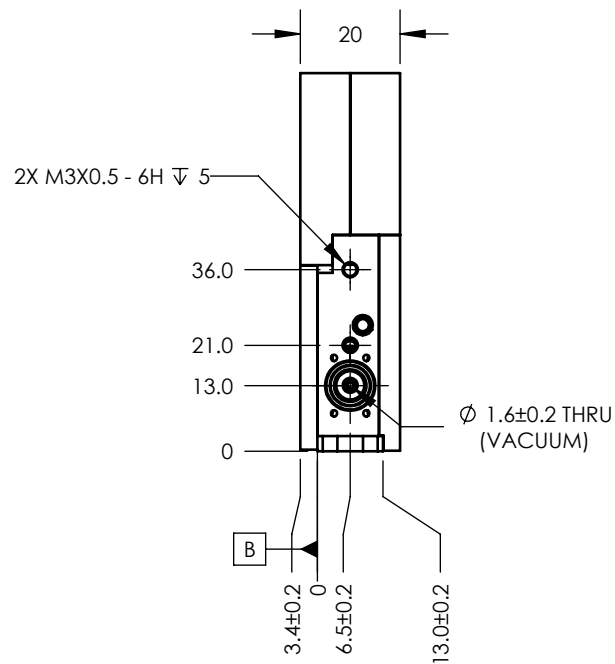


SPECIFICATIONS:

- 1. ROTARY SPECIFICATION:
 - ROTARY ENCODER: 24K counts/Rev.
 - PEAK TORQUE: 47mNm (24Vdc)
 - RATED TORQUE: 15mNm
 - MAXIMUM SPEED: 1000 RPM
 - TS4862 (5w)
- 2. ENCODER INDEX: 2 ± 1mm FROM REAR STOP (LINEAR AXIS)
- 3. LINEAR POLE PITCH: 18.3mm (LINEAR AXIS)
- 4. OPERATING TEMPERATURE: 0°C TO 40°C
- 5. INNER FLUSH NOSE BUSHING
- 6. ALL DIMENSIONS ARE IN mm
- 7. ONLY FOR VACUUM OPTION

REVISIONS				
REV	ECR	DESCRIPTION	DATE	APPROVED
F	6739	REDRAWN	4/19/2019	TW



PIGTAIL

1X (-6)	
PIN No	DB-26P
1	(L) PH. A+
2	(L) PH. B+
3	(L) PH. Z+
4	NC
5	NC
6	NC
7	(R) PH. B+
8	(R) PH. A+
9	(R) PH. Z+
10	(L) PH. A-
11	(L) PH. B-
12	(L) PH. Z-
13	NC
14	NC
15	NC
16	(R) PH. B-
17	(R) PH. A-
18	(R) PH. Z-
19	+5 VDC
20	5V RTN
21	(R) MOTOR (U)
22	(L) COIL (U)
23	(L) COIL (V)
24	(L) COIL (W)
25	(R) MOTOR (V)
26	(R) MOTOR (W)

1X (-2)	
PIN No	DB-26P
1	(L) PH. A+
2	(L) PH. B+
3	(L) PH. Z+
4	NC
5	(L) MOTOR+
6	NC
7	(R) PH. B+
8	(R) PH. A+
9	(R) PH. Z+
10	(L) PH. A-
11	(L) PH. B-
12	(L) PH. Z-
13	NC
14	NC
15	NC
16	(R) PH. B-
17	(R) PH. A-
18	(R) PH. Z-
19	+5 VDC
20	5V RTN
21	(R) MOTOR (U)
22	(L) MOTOR+
23	(L) MOTOR -
24	(L) MOTOR -
25	(R) MOTOR (V)
26	(R) MOTOR (W)

FLYING LEAD

2X (-2 & -6)	
PIN No	DB-15P
1	PH. A+
2	PH. Z+
3	PH. B+
4	+5 Vdc
5	NC
6	NC
7	NC
8	NC
9	PH. A -
10	PH. Z -
11	PH. B -
12	5V RTN
13	NC
14	NC
15	NC

2X (-2 & -6)	
PIN No	PHOENIX. 6P
1	GND
2	+V
3	MOTOR U (MOTOR +)
4	MOTOR V (MOTOR -)
5	MOTOR W
6	NC

TABLE						
No	UNIT	DETAILS	LCR20-025-55-2	LCR20-025-75-2	LCR20-035-XX-6	LCR20-050-XX-6
1	mm	LINEAR STROKE	25	25	35	50
2	N	PEAK FORCE	9	25		
3	N/A	FORCE CONSTANT	3	7		
4	micron	ENCODER RESOLUTION	5,1	5,1	5,1	5,1
5	A	MAXIMUM CURRENT	3	3,6	1,5	1,5
6	Ohm	COIL RESISTANCE	8,1	13,5	13,5	13,5
7	mH	COIL INDUCTANCE	0,93		0,95	0,95
8	kg	MOVING MASS	0,110	0,110	0,150	0,155
9	kg	TOTAL MASS	0,740	0,740	0,890	1,250
10		VACUUM OPTION	YES	YES	YES	YES
11		SPRING OPTION	YES	YES	YES	YES
12	mm	DIMENSION L1	155	155	180	210
13	mm	DIMENSION L2	166	166	191	221
14	mm	DIMENSION L3	163,5	163,5	188,5	218,5
15	mm	DIMENSION L4	152,5	152,5	180,5	207,5
16	mm	DIMENSION L5	143	143	153	198,0
17	mm	DIMENSION L6	37	37	42,5	42,5

UNLESS OTHERWISE SPECIFIED:
 ALL DIMENSIONS ARE IN MM
 BREAK EDGES AND REMOVE BURRS
 TOLERANCES
 X: ±0.5 X.X: ±0.1
 X.XX: ±0.03 ANGLE: ±0.1°
 CONCENTRICITY: ±0.025
 ROUNDNESS: ±0.025
 EDGE BREAKS: 0.2 MAX
 ALL DIMENSIONS AND TOLERANCES ARE FINAL

MATERIAL: SEE BOM
 FINISH: SEE BOM
 MACHINE FINISH: 1.6
 INTERPRET PER: ASME Y14.5-2009
 THIRD ANGLE PROJECTION

NAME: TW DATE: 4/18/2019
 CHK BY: TMV DATE: 4/18/2019
 ENG APP: TMV DATE: 4/18/2019
 MFG APP: QA APP:
SMAC
 MOVING COIL ACTUATORS
 5807 VAN ALLEN WAY
 CARLSBAD CA, 92008
 (760) 929-7588
 TITLE: LINEAR TOTARY ACTUATOR
 PART NO: B LCR20-XXX-YY-Z
 SCALE: 2:3 DO NOT SCALE SHEET: 1 / 1

REF. NUMBER	LCR20
CONTRACT	STD