

NOTES (UNLESS OTHERWISE SPECIFIED)

1. LINEAR SPECIFICATIONS:

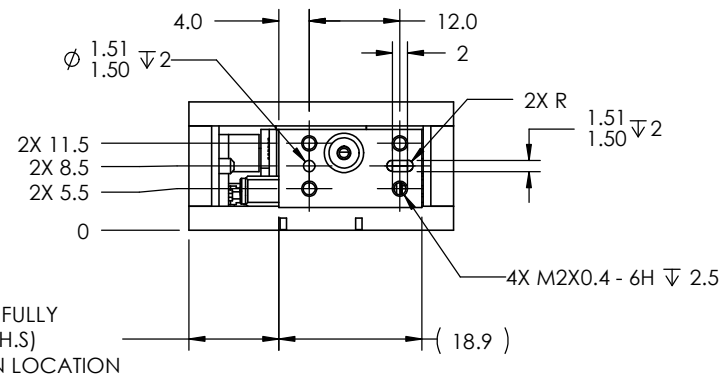
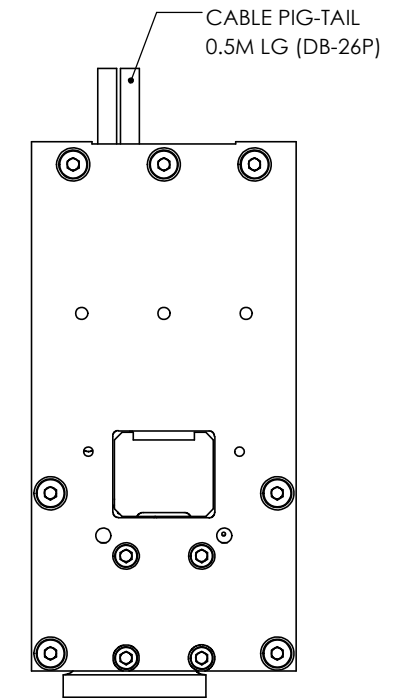
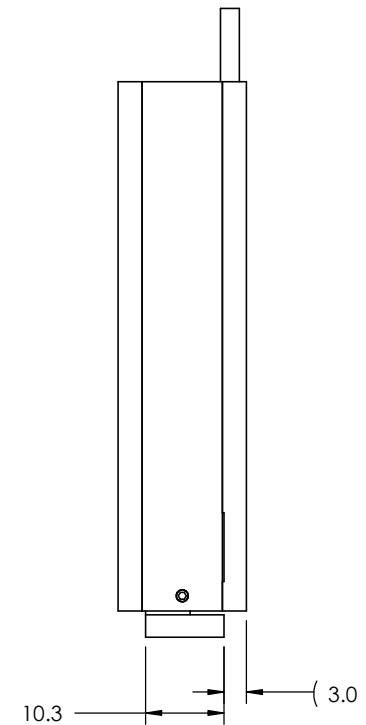
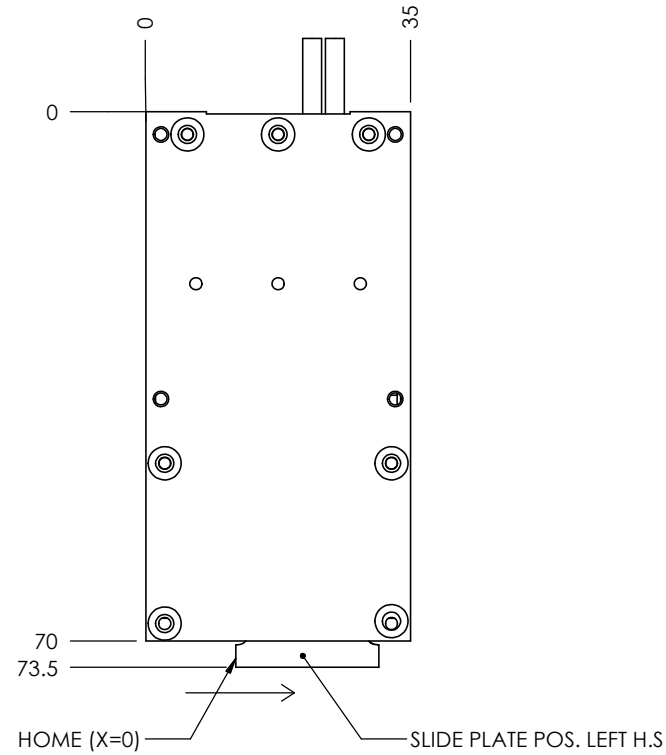
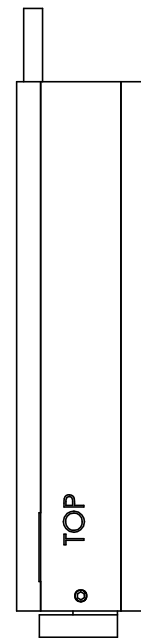
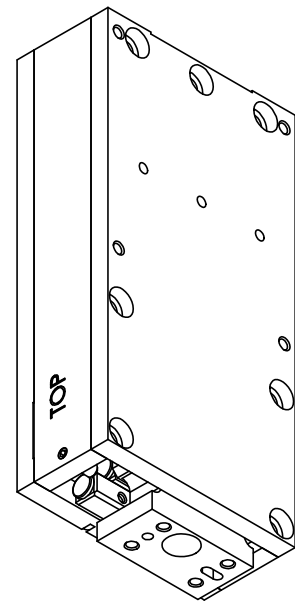
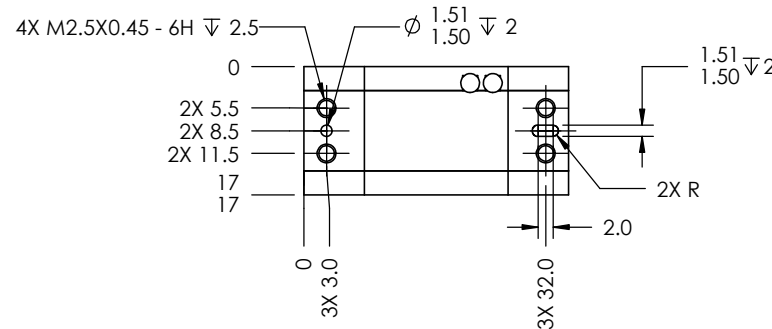
- LINEAR STROKE: MAX. 7.5 mm
- ENC. RESOLUTION(+A/-A;+B/-B): 0.05µm, 0.1µm, 1µm, 5µm
- ENCODER REPEATABILITY: +/- 5µm
- INDEX LOCATION(+Z/-Z): 2.5 +/- 0.5 mm H.S
- OPERATING VOLTAGE: 24 Vdc
- COIL RESISTANCE: 14.5 Ohm
- COIL INDUCTANCE: 0.9 mH
- PEAK FORCE: 13.5 N @ 24Vdc, 1.4A
- FORCE CONSTANT: 9.6 N/A
- MOVING MASS: 0.028 kg
- TOTAL MASS: 0.220 kg

2. LINEAR GUIDE: ML7C1

3. OPERATING TEMPERATURE: 0°C TO 40°C

4. PLATING: ELECTROLESS NICKEL

REVISIONS				
REV	ECR	DESCRIPTION	DATE	APPROVED
A	--	INITAL RELEASE	6/5/19	TV
B	6824	ADD OPTIONS TO ENCODER RESOLUTION	8/1/19	CP



PIN No	DB-26P
1	(L) PH. A+
2	(L) PH. B+
3	(L) PH. Z+
4	NC
5	NC
6	NC
7	NC
8	NC
9	NC
10	(L) PH. A-
11	(L) PH. B-
12	(L) PH. Z-
13	NC
14	NC
15	NC
16	NC
17	NC
18	NC
19	+5 VDC
20	5V RTN
21	(L) MOTOR+
22	(L) MOTOR+
23	(L) MOTOR-
24	(L) MOTOR-
25	NC
26	NC

REF. NUMBER	LBL17 STD
CONTRACT	LBL17-007

UNLESS OTHERWISE SPECIFIED
 ALL DIMENSIONS ARE IN MM
 BREAK EDGES AND REMOVE BURRS
 TOLERANCES
 X: ±0.5 XX: ±0.1
 XXX: ±0.03 ANGLE: ±0.1°
 CONCENTRICITY: ±0.025
 ROUNDNESS: ±0.025
 EDGE BREAKS: 0.2 MAX
 ALL DIMENSIONS AND TOLERANCES ARE FINAL

MATERIAL: SEE BOM
 FINISH: SEE BOM
 MACHINE FINISH: 1.6
 INTERPRET PER: ASME Y14.5-2009
 THIRD ANGLE PROJECTION

NAME	DATE
DWN BY	TV 06/05/19
CHK BY	TV 06/05/19
ENG APP	TOAN VU 06/05/19
MFG APP	
QA APP	

SMAC 5807 VAN ALLEN WAY
 CARLSBAD CA, 92008 (760) 929-7588

TITLE: MOVING COIL ACTUATORS

PART NO: **B** LBS17-007-52-2 REV: **B**

SCALE: 1:1 DO NOT SCALE SHEET: 1 / 1