

Willburger System GmbH

Tel. 0 8841 - 3028
 Fax 0 8841 - 5158
 E-mail: info@willburger.de

Auf der Schuchen 11
 D-82418 Seehausen, Germany
 Internet: www.willburger.de

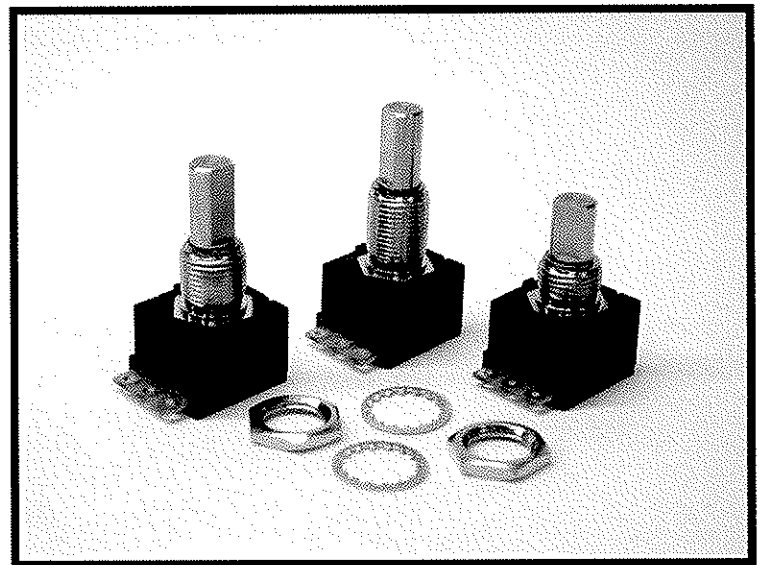
Geschäftsführer: Ulrich Willburger, Sitz der Gesellschaft: Seehausen, Handelsregister: München HRB 74107

Rotary Precision Position Sensor Single Turn, Compact, Sealed, Extended Life

5320 Series Panel Pot

The BEI Duncan 5320 Series offers a highly reliable rotary potentiometer sensor that can be easily integrated or re-packaged into a wide variety of existing and new applications. The new 5320 Series is ideally suited for tight packaging constraints while providing superior durability, long service life and repeatable accuracy. The sensor is fully sealed and impervious to contamination and moisture. A wide variety of standard and non-standard options are available including detent functions, electrical/mechanical angles, shaft/bushing sizes, lengths and configurations, resistance values, etc.

The 5320 Series standard termination offers gold plated through holes for direct soldering. Options are also available for custom termination methods by contacting Duncan Sales. The 5320 series sensors offer all of the advantages of a cost effective, traditional potentiometer while providing a rugged, compact, low-profile design to survive the harshest conditions.



5320 Series Features:

Extended Operating Life

1 million plus operational cycles

Fully Sealed Construction

Meets or exceeds IP66/IP67 standards

Extended Temperature Range

Operating: -40° to +125°C

Storage: -55° to +150°C

High Quality, Rugged Construction

Stainless Steel Shaft, Nickel Plated Brass Bushing

See Reverse for Additional Environmental Specifications

Wide Range of Configurations (see ordering info)

Shaft and Bushing Lengths

Linearity (accuracy) Tolerance Limits

With or Without Detent Function

Total Resistance

Wide Range of Custom Options (contact Duncan Sales)

Variable Electrical Angles up to 315 degrees (w/ stops)

Variable Mechanical Stops up to 325 degrees

Continuous Rotation – No Stops (340° max electrical)

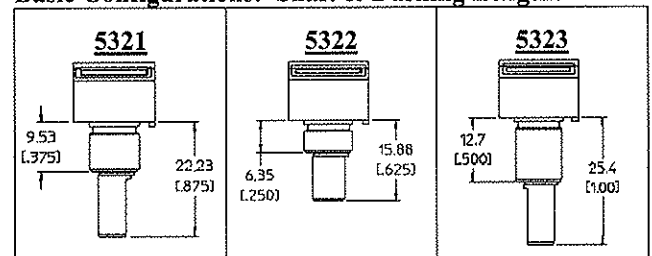
Electrical Output (end voltage limits, etc.)

Smaller, 1/8" Shaft and 1/4" Bushing Diameters

Shaft Engagement (round or slotted instead of flat)

Ordering Information:

Basic Configurations: Shaft & Bushing Lengths



Dimensions are shown in millimeters [inches reference]

532X RXK LX.X X

Detent:
 Blank = None, D = Included

Independent Linearity:
 Standard = +/-2.0%

Total Resistance:
 Standard = 1K, 5K or 10K

Basic Configuration Model (identified above)

STANDARD PART: 5321 R5K L2.0

No Detent Function
 Standard +/-2.0% Linearity
 5K Total Resistance

Willburger System GmbH

Tel. 0 8841 - 3028
 Fax 0 8841 - 5158
 E-mail: info@willburger.de

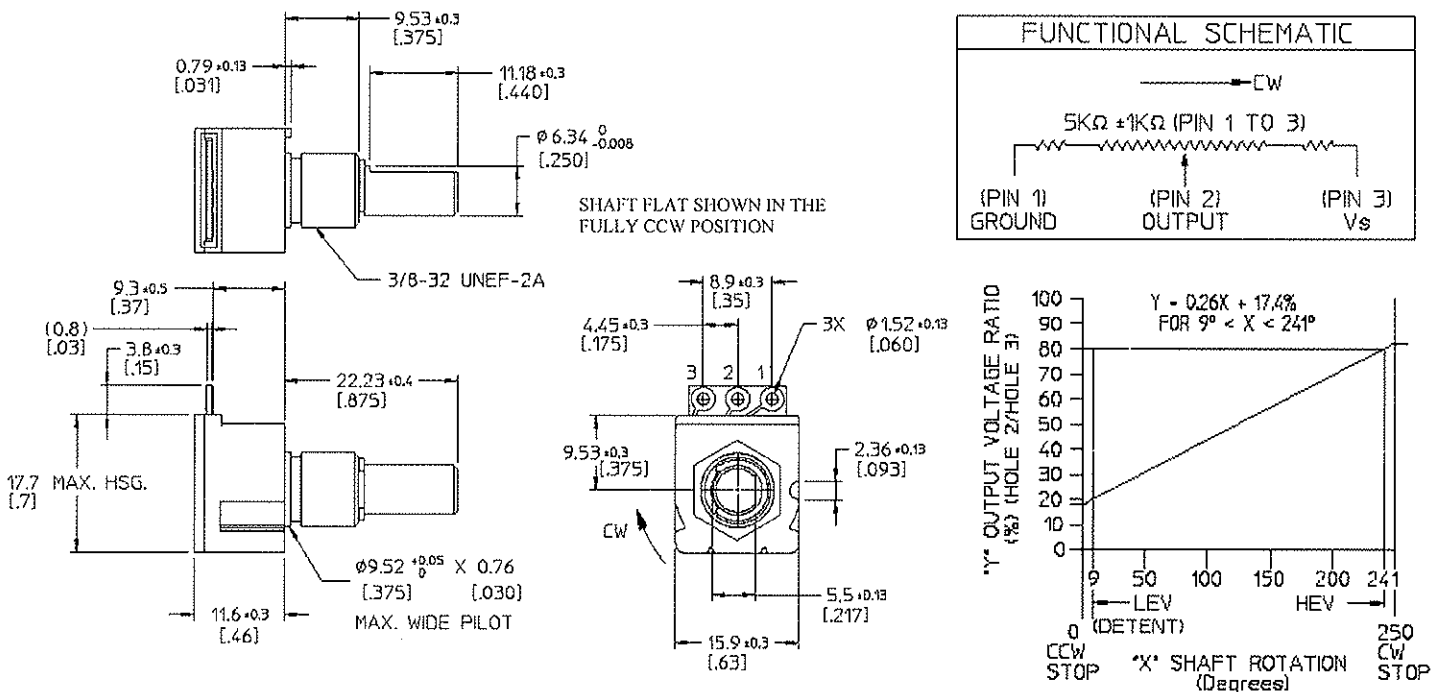
Auf der Schuchen 11
 D-82418 Seehausen, Germany
 Internet: www.willburger.de

Geschäftsführer: Ulrich Willburger, Sitz der Gesellschaft: Seehausen, Handelsregister: München HRB 74107

Rotary Precision Position Sensor 5320 Series Panel Port

Standard Sensor as Example

Dimensions are shown in millimeters [inches reference]



Mechanical Specifications

Total Travel (stop to stop): 250 degrees (std*)
 Stop Strength: 1350 Nmm (190 in-oz)
 Shaft Pull Out Strength: 200N (45lbs)
 Shaft Operating Torque: 5-25 Nmm (0.7-3.5 in-oz)
 Shaft Starting Torque: 35 Nmm (5 in-oz) Max.
 Cycle Life: 1 Million cycles
 Detent Life: 10,000 cycles
 Detent Torque: 35-120 Nmm (5-17 in-oz)
 Detent Release Position: 20 degrees Max.

Environmental Specifications

Moisture & Dust Resistant: Sealed, IP66/IP67
 Vibration: 15g, 10 to 2000 Hz
 Shock: 30g
 Temperature: -40°C to +125°C operating
 -55° to +150°C storage
 Salt Spray: 96 hours
 Resistance to Solder Heat: 350°C (660°F) for 5 sec.
 (at termination points)

Electrical Specifications

Active Electrical Travel: 240 degrees (std*)
 Input Voltage (Vs): 5V ±0.25V
 Power Dissipation: 0.25W @ 85°C
 Resistance (Rt): 5KΩ ±20% (std*)
 Linearity, Independent: ±2% (std*)
 Low End Voltage (LEV): 20% ±10% (std*)
 High End Voltage (HEV): 80% ±10% (std*)
 RGV: 100% Max.
 (Output Smoothness): (0.2%) Max.

Materials

Shaft: Stainless Steel
 Bushing: Nickel Plated Brass
 Housing (Package): Nylon 6 (Akulon)
 PCB: 4101/21 (FR-4)

* Std. Parameter shown, other custom options available, contact Duncan Sales.